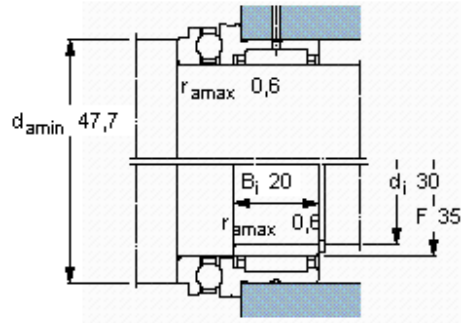
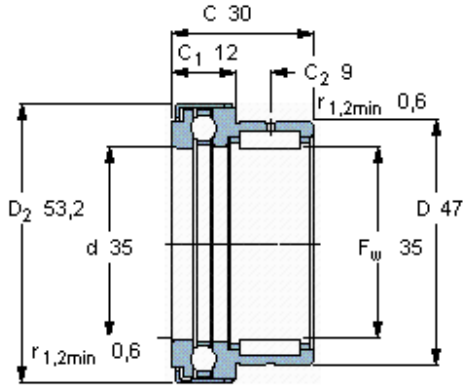


1_18, needle roller/full complement thrust ball bearings

Principal dimensions			Basic load ratings				Speed ratings		Limiting speed	Designation
Fw	D	C	radial dynamic C	static C0	axial dynamic C	static C0	Reference speed			
mm			kN				r/min		-	
35	47	30	24,6	45	21,2	51	5600	4500	NKX 35 Z	



Appropriate inner ring

IR 30x35x20